

Vortex Tube



Product Code: A20000

Meech Stainless Steel Vortex Tubes convert compressed air into two airflows, one extremely cold and the other extremely hot.

Compressed air enters the spin chamber tangentially. This causes the column of air inside the tube to rotate at very high speed (up to 1 million rpm). The air at the outside of the column, moving very fast has a lot of energy and is hot. The air at the centre of the column, moving relatively slowly has little energy and is cold. The hot outer air is bled off at one end of the tube and the cold inner air at the other.

Vortex Tubes have no moving parts and can produce temperatures as low as 50°C below the inlet air temperature and as high as 110°C.

The attached drawing on the data sheet is for a medium vortex tube.

Features

Benefits

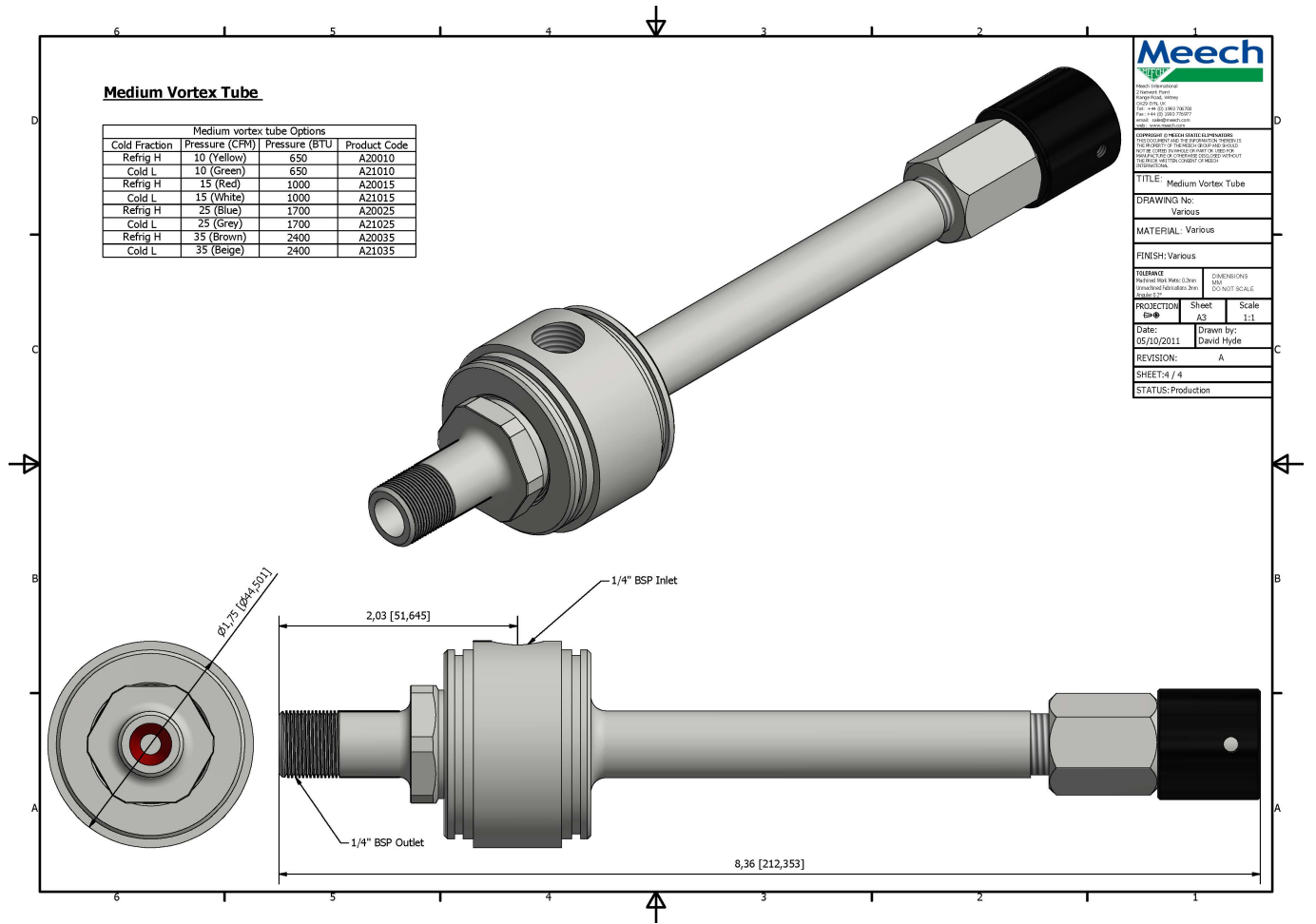
Innovative design	Temperature drop as low as 50°C below inlet air temp. Hot air up to +110°C
Stainless steel	Hard wearing and hygienic
No moving parts	Maintenance free
Relief valve	Accurate temperature control
Available in 2 sizes	Medium Vortex Tube (10 - 35cfm) and Small Vortex Tube (8cfm). Suitable for a wide range of applications

Technical Characteristics

Dimensions (mm)	Medium (L) 212.3mm x (H) 44.5mm
-----------------	---------------------------------

Product Data Sheet

Published Date: 18.06.2015



Product shown in this document may be covered by one or more patents, patents applied for and/or registered designs and/or trade marks. For further information please refer to our Head Office or visit www.meech.com.

Meech International

UK: +44 1993 706 700
Hungary: +36 27 535 075

US: +1 330 564 2000
China: +86 400 820 0102

Belgium: +32 8067 0204
India: +91 (0)7030938211

Singapore: +65 65918859

email: sales@meech.com
web: www.meech.com