

Coldstream Air Gun



Product Code: A60000

Coldstream Air Guns from Meech Air Technology provide a cold airflow that is commonly used for spot cooling.

The Vortex Tube is at the heart of the Coldstream Gun, encased within hot and cold end silencers. The cold air produced by the Vortex Tube is easily directed on to the area to be cooled via the knuckle trunking. The hot air created by the opposite end of the Vortex Tube flows into the atmosphere via a silencer.

The cold airflow can be as low as 50°C below the inlet air temperature and be maintained to +/- 0.6°C.

The attached drawing on the data sheet is for a Large ColdStream Air Gun.

Features

Benefits

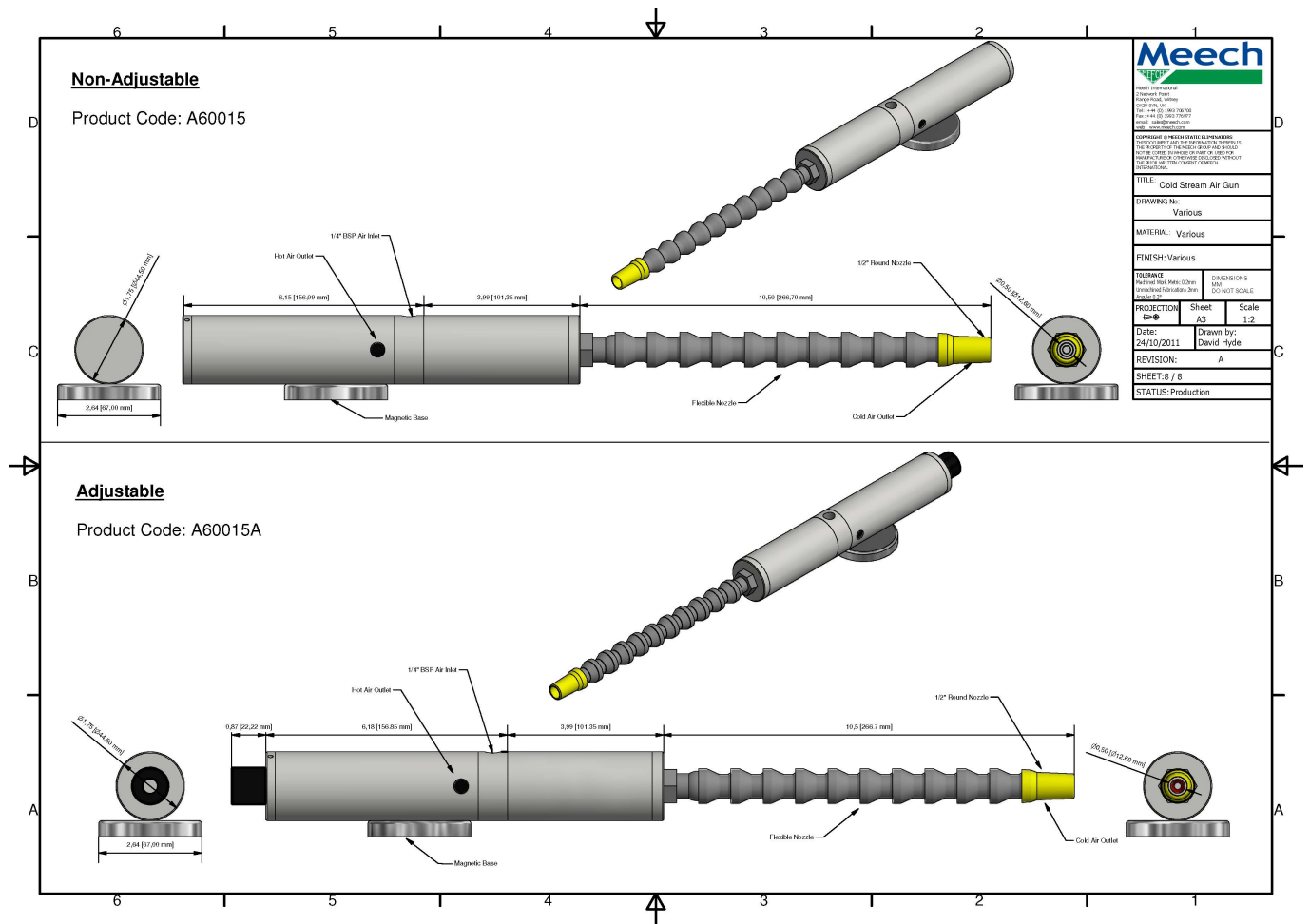
No moving parts	Low maintenance and easy to use
Stainless steel	Suitable for harsh environments
Adjustment knob (adjustable models only)	Accurate temperature control
28cm knuckle trunking	Easy direction of cold airflow
Magnetic base	Quick and easy mounting to any metallic surface and can be moved with little hassel.
Available in 2 sizes	Large Coldstream Gun and small Coldstream Gun available

Technical Characteristics

Dimensions (mm)	Adjustable Large - (L) 280mm x (H) 44.5mm Non-Adjustable Large - (L) 258mm x (H) 44.5mm
-----------------	--------------------------------------------------------------------------------------------

Product Data Sheet

Published Date: 22.06.2015



Product shown in this document may be covered by one or more patents, patents applied for and/or registered designs and/or trade marks. For further information please refer to our Head Office or visit www.meech.com.

Meech International

UK: +44 1993 706 700
Hungary: +36 27 535 075

US: +1 330 564 2000
China: +86 400 820 0102

Belgium: +32 8067 0204
India: +91 (0)7030938211

Singapore: +65 65918859

email: sales@meech.com
web: www.meech.com